

# ADAPTER PLATES

FLAP VALVES / MULTI-MANHOLES ADAPTER PLATES

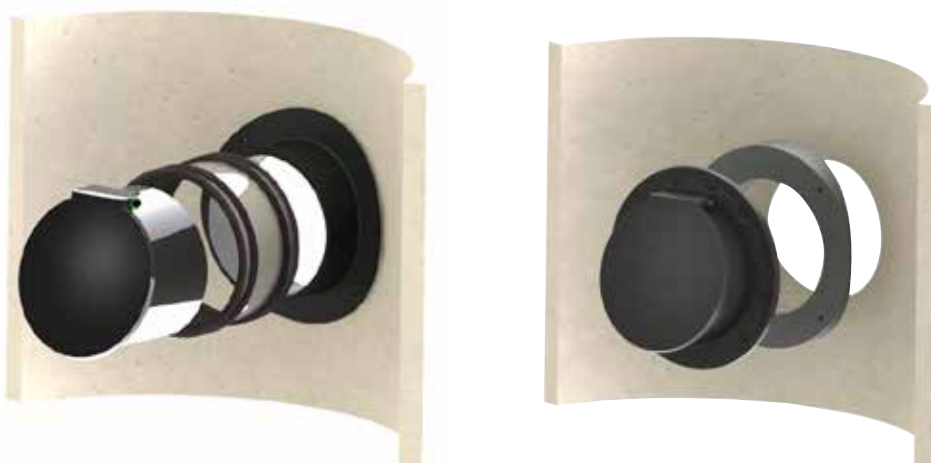
## PRODUCT'S ADVANTAGES

- **Universal** : fits on all circular manholes DN 800 à 1200 for the NORHAM flap-valves ranges.
- **Easy to install** : installed in the manhole using mechanical anchors.
- **Highly resistant** : made of fiberglass reinforced polyester or HDPE - EPDM seals.

OPTIMUM SOLUTION FOR CIRCULAR MANHOLES



PATENTED PRODUCT  
N° 1563030



# NORHAM

CONCEPTEUR ET FOURNISSEUR

Z.A DRUISIEUX — 26260 SAINT DONAT SUR L'HERBASSE - FRANCE

TÉL : 33 (0) 4 75 45 00 00 - FAX : 33 (0) 4 75 45 17 05 — [www.norham.fr](http://www.norham.fr)



FITTINGS  
& JOINTS

PLUGS

FLAP-VALVES

JUNE 2018

# ADAPTER PLATES

## FLAP VALVES / MULTI-MANHOLES ADAPTER PLATES

### ► AREA OF USE

The MULTI-MANHOLE ADAPTER FLANGE provides a suitable and optimal solution when a piece of flat surface or female connection (type flap-valve, penstock, regulator, ...) must be installed in a circular manhole. Thanks to its particularly studied geometry (patented system), the MULTI-MANHOLE ADAPTER FLANGE can be mounted indifferently in a manhole of DN 800 to 1200.

Two standard ranges of MULTI-MANHOLE ADAPTER FLANGE are available:

- the ARVN range for end of line flap- valves ;
- the ARVB range for ISO PN10 type flanged flap.

For any other type of element to be installed, a custom design can be realized.

For all specific requests, please contact us.

### ARVN RANGE

The ARVN range is designed for all NORHAM MULTI N flap-valves and all female connected parts. The flap is mounted on the flange using a NORHAM FLEXIBLE® coupling.



Naked piece without flap-valve.

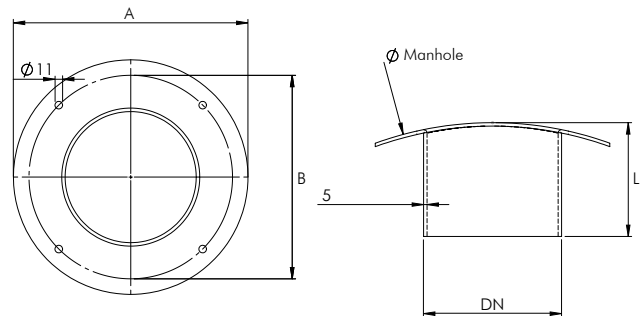
### ► MATERIALS

- **Isophthalic gel-coat / isophthalic polyester resin reinforced with fiberglass** : body.
- **EPDM** : flange seal.
- **Stainless steel AISI316** : mechanical anchors.

### ► DIMENSIONS

Adapter flange range ARVN					
Ref. ARVN	Ø manhole	DN	A	B	L
200	600 to 1500	200	294	265	128
250	800 to 1500	250	355	330	125
300	800 to 1200	300	445	400	139
400		400	490	460	158

Dimensions in mm.

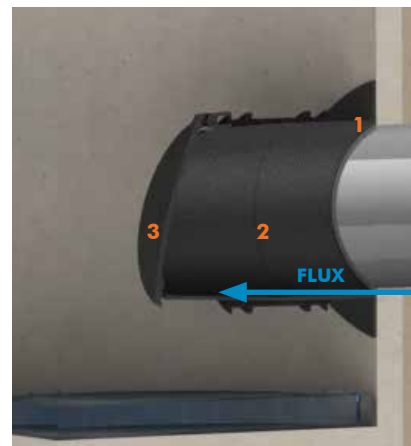


### ► EXAMPLES OF INSTALLATION



3D VIEW

- 1 Adapter flange.
- 2 FLEX-SEAL® Plus coupling.
- 3 NORHAM MULTI N end of line flap-valve.



3D SIDE VIEW

Drawing and data non contractual.

# ADAPTER PLATES

## FLAP VALVES / MULTI-MANHOLES ADAPTER PLATES

### ARVB RANGE

#### ▶ TECHNICAL DATA

The ARVB range is designed for all NORHAM MULTI NB flap-valves and all other ISO PN10 flange parts.

The flap-valve is mounted on the flange using AISI316 stainless steel anchors.

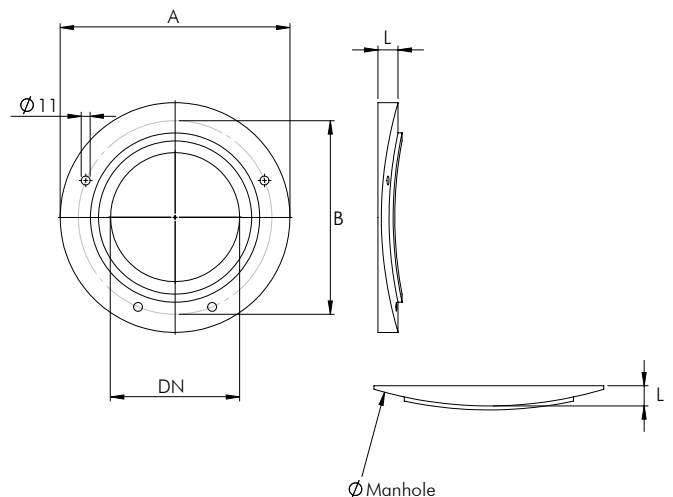
#### ▶ MATERIALS

- **HDPE** : body.
- **EPDM** : flange seal.
- **Stainless steel AISI316** : mechanical anchors.

#### ▶ DIMENSIONS

Adapter flange range ARVB					
Ref. ARVB	Ø manhole	DN	A	B	L
100	600 to 1600	100	220	220	25
200	600 to 1500	200	340	295	55
250	800 to 1500	250	395	350	53
300	800 to 1200	300	455	400	74
400		400	565	515	116

Dimensions in mm.



Naked piece without flap-valve.

#### ▶ EXAMPLES OF INSTALLATION



3D VIEW



3D SIDE VIEW

- 1 Adapter flange.
- 2 NORHAM end of libe flap-valve MULTI NB.

# ADAPTER PLATES

## FLAP VALVES / MULTI-MANHOLES ADAPTER PLATES

### TAILOR-MADE RANGE

#### ▶ TECHNICAL DATA

Thanks to the realization of a "tailor-made" ADAPTATION FLANGE, any flat part can be mounted in a circular manhole.

The mounting of the workpiece on the flange is done with stainless steel screws AISI316.

The ADAPTATION FLANGE is then made of HDPE or polyester reinforced with fiberglass according to the specificity of the request.

#### ▶ MATERIALS

- **Isophthalic gel-coat** : body.
- **EPDM** : flange seal.
- **Stainless steel AISI316** : mechanical anchors.



Drawing and data non contractual.

### → OTHER NORHAM SOLUTIONS

#### T-SADDLE T-FLEX® MULTI

T-Saddle for multimaterial collectors and pipes.



#### STINK-SHIELD® VERTICAL

Anti-smell valve for sewage and drainage pipe.



#### CAMSTOPPER® VERROUILLABLE

Mechanical lockable plug.



**Z.A DRUISIEUX**  
**26260 ST DONAT**  
**SUR L'HERBASSE FRANCE**  
**TÉL : +33(0)4 75 45 00 00**  
**FAX : +33(0)4 75 45 17 05**  
**www.norham.fr**

Graphisme : Société Be.art - www.be-art.fr

**YOUR DISTRIBUTOR :**